



## MY21 **AMP** GEOMETRY

### INDEX

**SPEEDFOX** AMP AL 2

**ALPENCHALLENGE** AMP Sport 3

**ALPENCHALLENGE** AMP AL Sport 4

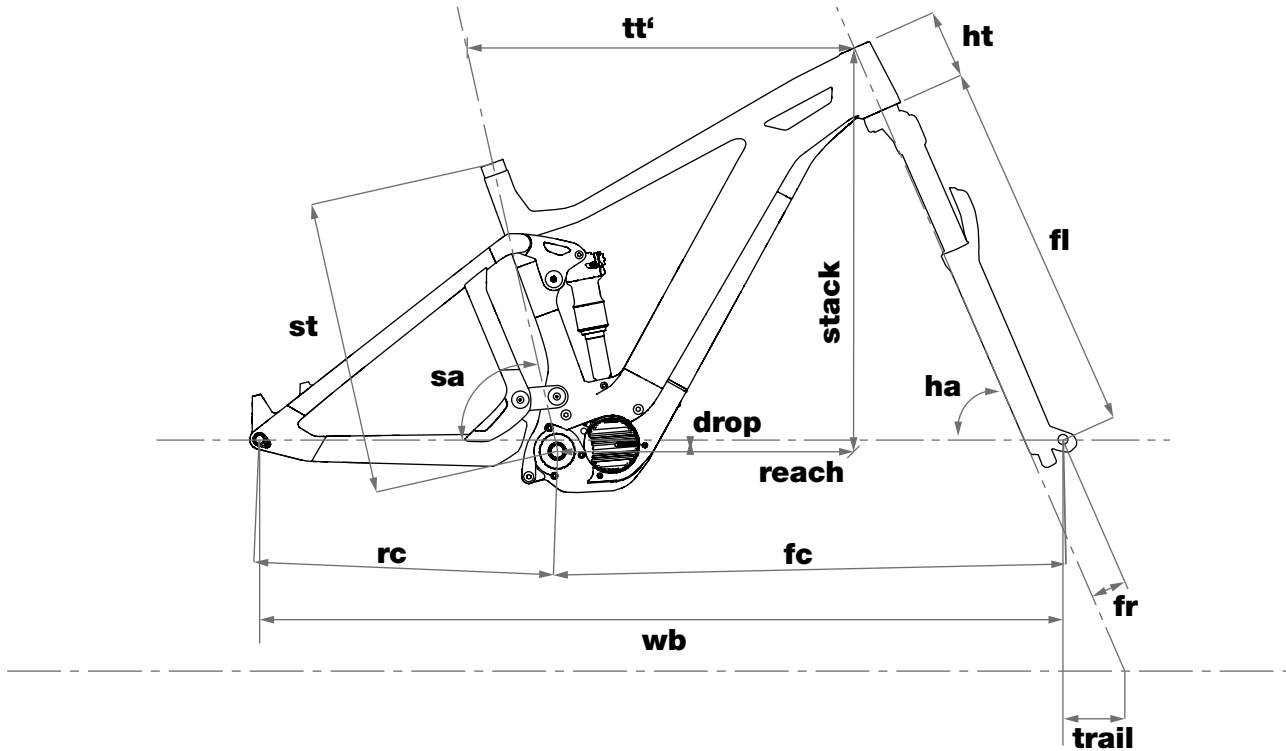
**ALPENCHALLENGE** AMP Cross 5

**ALPENCHALLENGE** AMP AL Cross 6

**ALPENCHALLENGE** AMP City 7

**ALPENCHALLENGE** AMP AL City 8

## SPEEDFOX AMP AL Geometry

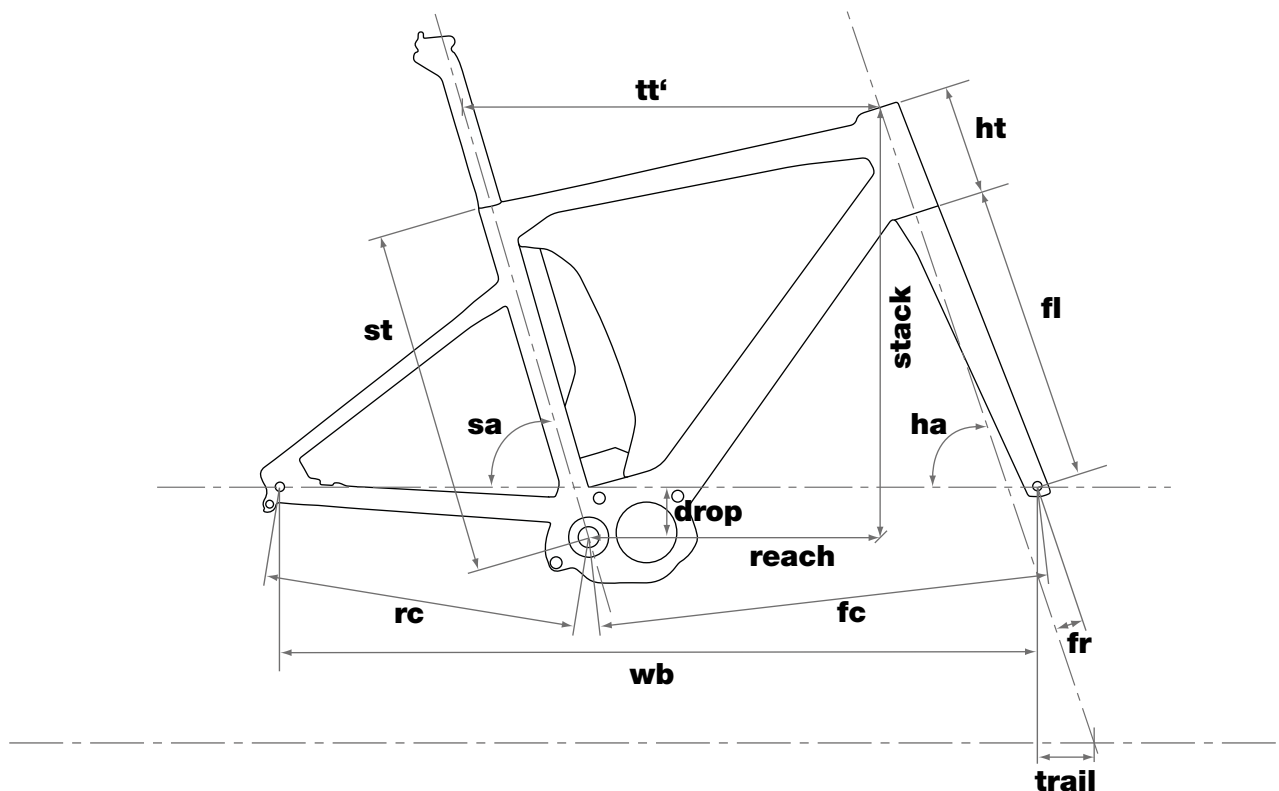


Unless otherwise indicated, all measurements are given in mm.

Size	S	M	L
Rider Height cm	<170	170-185	>180
Stack	598	605	619
Reach	416	445	470
Seat Tube (st)	400	440	480
Top Tube (tt')	572	619	648
Head Tube (ht)	101	103	112
Seat Angle ° (sa)	74	74	74
Head Angle ° (ha)	66	66	66
Rear Center (rc)	450	450	450
Front Center (fc)	726	752	782.16
Wheelbase (wb)	1174	1202	1231.16
BB Drop (drop)	33	35	38
Fork Length (fl)	541	541	541
Fork Rake (fr)	51	51	51
Trail	107	107	107
Crank Length	165	165	165
Stem Length	45	45	55
Stem Angle °	±6	±6	±6
Bar Width	780	780	780
Bar Rise	15	15	15
Bar Sweep °	9	9	9
Seatpost Length	377	447	447
Seatpost Offset	0	0	0
Seatpost Drop	125	150	150
Standover Height	767	767	768

[> Back to Index](#)

## ALPENCHALLENGE AMP SPORT GEOMETRY

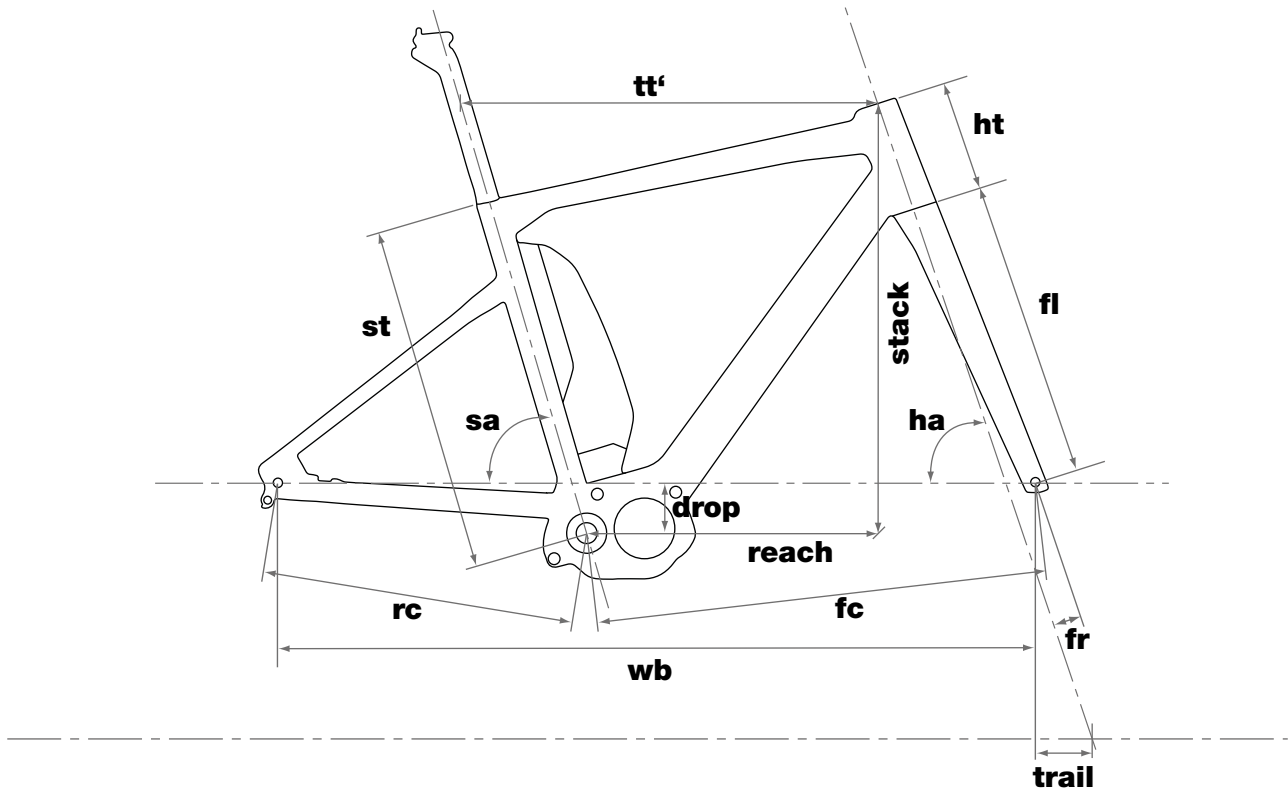


Unless otherwise indicated, all measurements are given in mm.

Size	S	M	L
Rider Height cm	<170	170-185	>180
Stack	565	600	635
Reach	380	405	425
Seat Tube (st)	443	480	538
Top Tube (tt')	548	583	608
Head Tube (ht)	120	157	193
Seat Angle ° (sa)	73.5	73.5	73.5
Head Angle ° (ha)	71.25	72	72
Rear Center (rc)	435	435	435
Front Center (fc)	592	628	659
Wheelbase (wb)	1024	1053	1085
BB Drop (drop)	70	70	70
Fork Length (fl)	415	415	415
Fork Rake (fr)	45	45	45
Trail	70	65	65
Crank Length	170	170	170
Stem Length (ICS 1)	80	90	100
Stem Angle ° (ICS 1)	0	0	0
Bar Width (Drop Bar)	400	420	440
Bar Width (Flat Bar)	680	680	680
Bar Drop (RAB02)	125	125	125
Bar Reach (RAB02)	70	70	70
Bar Rise (Flat Bar)	0	0	0
Bar Sweep ° (Flat Bar)	9	9	9
Seatpost Length	310	310	310
Seatpost Offset	15	15	15
Standover Height	745	777	823
Stem Length (RSM01)	90	90	100
Stem Angle ° (RSM01)	±8	±8	±8

[> Back to Index](#)

## ALPENCHALLENGE AMP AL Sport Geometry

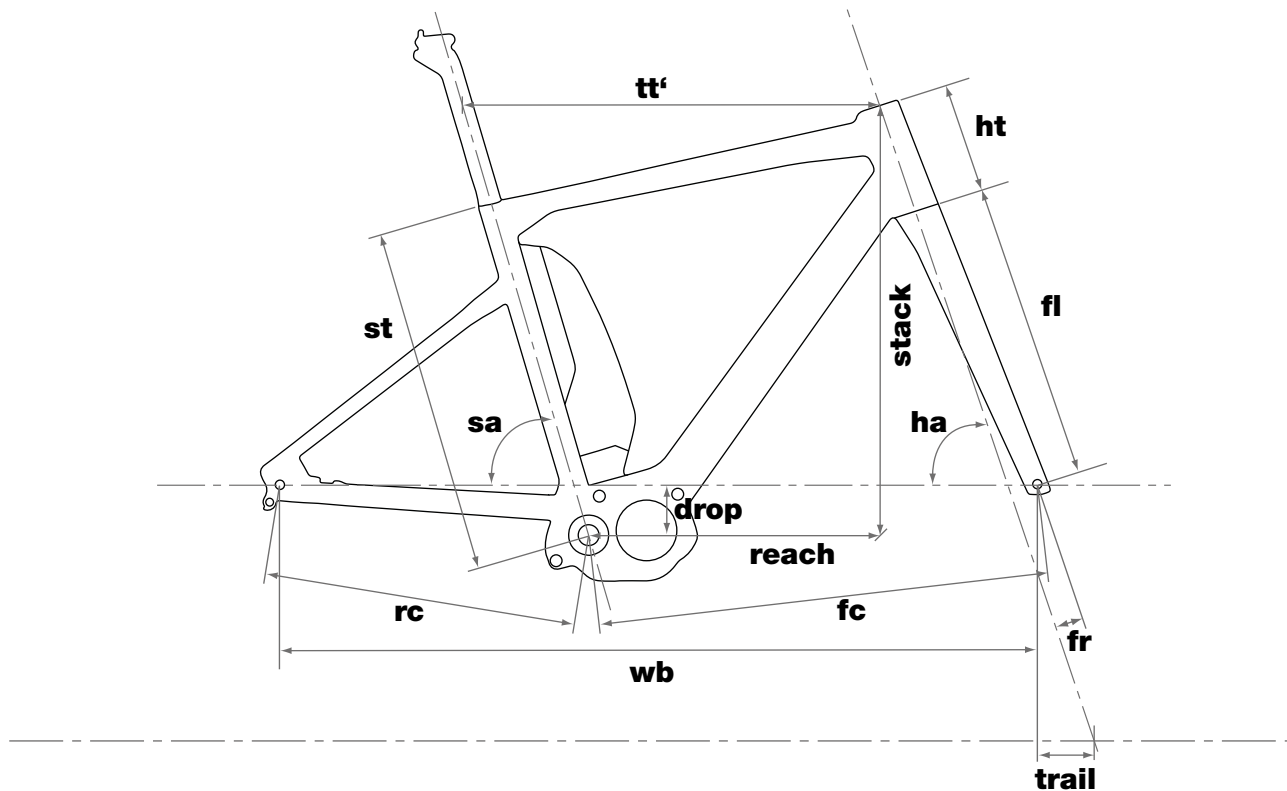


Unless otherwise indicated, all measurements are given in mm.

Size	S	M	L
Rider Height cm	<170	170-185	>180
Stack	565	600	635
Reach	380	405	425
Seat Tube (st)	443	480	538
Top Tube (tt')	548	583	608
Head Tube (ht)	120	157	193
Seat Angle ° (sa)	73.5	73.5	73.5
Head Angle ° (ha)	71.25	72	72
Rear Center (rc)	435	435	435
Front Center (fc)	592	628	659
Wheelbase (wb)	1024	1053	1085
BB Drop (drop)	70	70	70
Fork Length (fl)	415	415	415
Fork Rake (fr)	45	45	45
Trail	70	65	65
Crank Length	170	170	170
Stem Length	90	90	100
Stem Angle °	± 8	± 8	± 8
Bar Width	680	680	680
Bar Rise	0	0	0
Bar Sweep °	9	9	9
Seatpost Length	350	350	350
Seatpost Offset	15	15	15
Standover Height	745	777	823

[> Back to Index](#)

## ALPENCHALLENGE AMP CROSS GEOMETRY

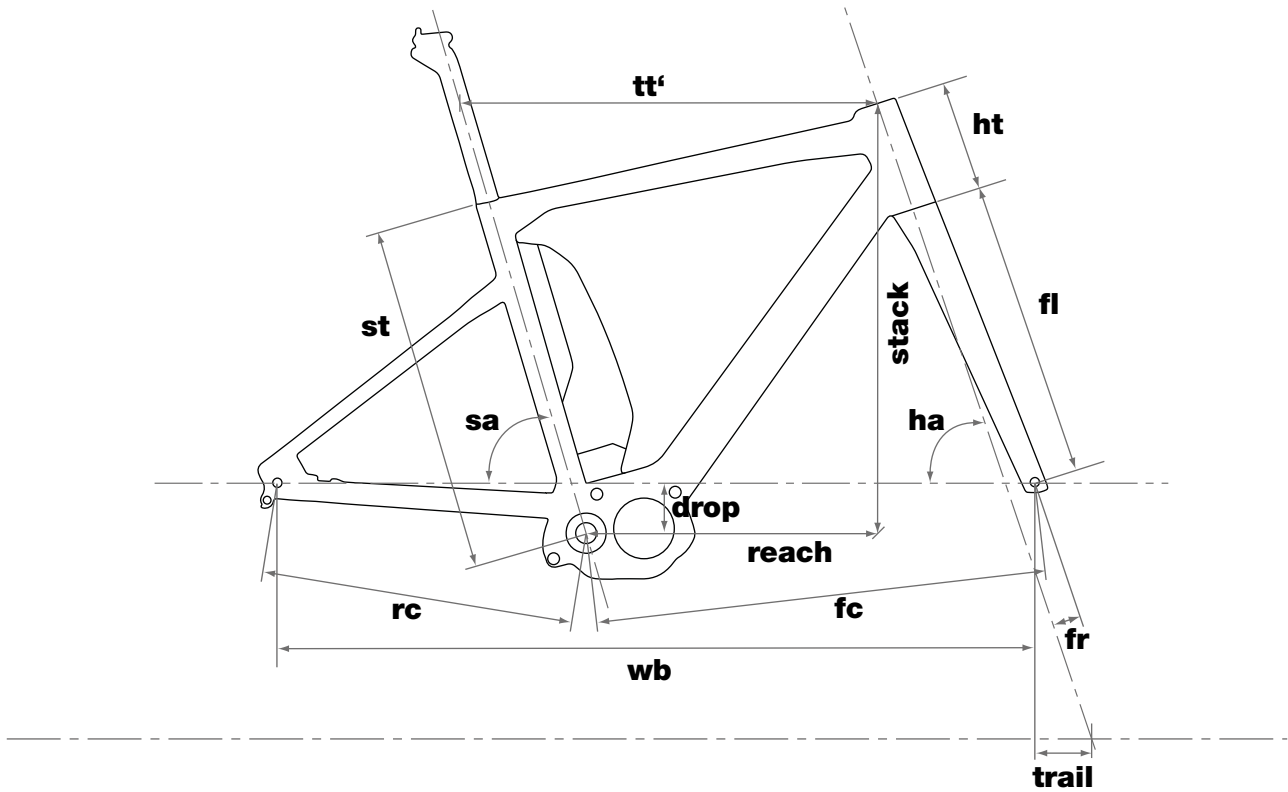


Unless otherwise indicated, all measurements are given in mm.

Size	S	M	L
Rider Height cm	<170	170-185	>180
Stack	565	600	635
Reach	380	405	425
Seat Tube (st)	443	480	538
Top Tube (tt')	548	583	608
Head Tube (ht)	120	157	193
Seat Angle ° (sa)	73.5	73.5	73.5
Head Angle ° (ha)	71.25	72	72
Rear Center (rc)	435	435	435
Front Center (fc)	592	628	659
Wheelbase (wb)	1024	1053	1085
BB Drop (drop)	70	70	70
Fork Length (fl)	415	415	415
Fork Rake (fr)	45	45	45
Trail	70	65	65
Crank Length	170	170	170
Stem Length (ICS 1)	80	90	100
Stem Angle ° (ICS 1)	0	0	0
Bar Width	680	680	680
Bar Rise	0	0	0
Bar Sweep°	9	9	9
Seatpost Length	310	310	310
Seatpost Offset	15	15	15
Standover Height	745	777	823

[> Back to Index](#)

## ALPENCHALLENGE AMP AL Cross Geometry

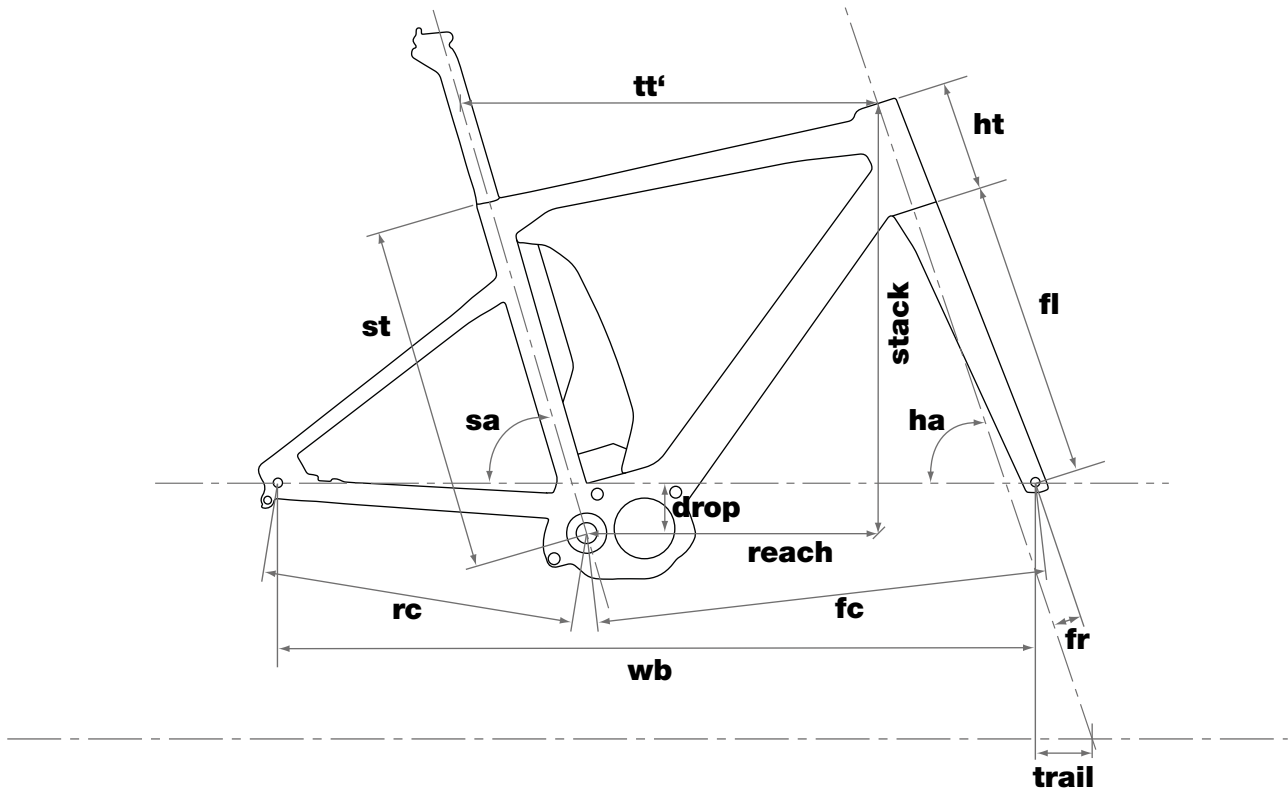


Unless otherwise indicated, all measurements are given in mm.

Size	S	M	L
Rider Height cm	<170	170-185	>180
Stack	565	600	635
Reach	380	405	425
Seat Tube (st)	443	480	538
Top Tube (tt')	548	583	608
Head Tube (ht)	120	157	193
Seat Angle ° (sa)	73.5	73.5	73.5
Head Angle ° (ha)	71.25	72	72
Rear Center (rc)	435	435	435
Front Center (fc)	592	628	659
Wheelbase (wb)	1024	1053	1085
BB Drop (drop)	70	70	70
Fork Length (fl)	415	415	415
Fork Rake (fr)	45	45	45
Trail	70	65	65
Crank Length	170	170	170
Stem Length	90	90	100
Stem Angle °	± 8	± 8	± 8
Bar Width	680	680	680
Bar Rise	0	0	0
Bar Sweep °	9	9	9
Seatpost Length	350	350	350
Seatpost Offset	15	15	15
Standover Height	745	777	823

[> Back to Index](#)

## ALPENCHALLENGE AMP CITY GEOMETRY

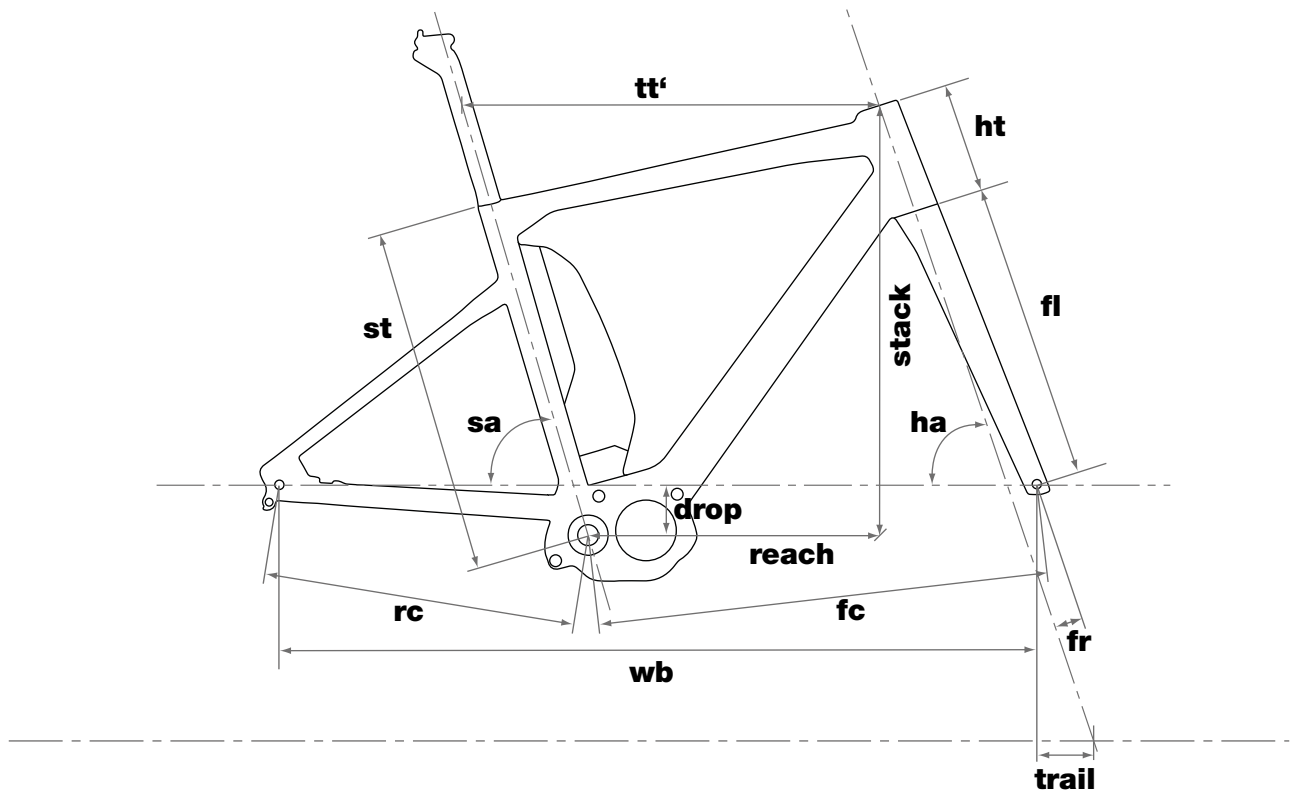


Unless otherwise indicated, all measurements are given in mm.

Size	S	M	L
Rider Height cm	<170	170-185	>180
Stack	565	600	635
Reach	380	405	425
Seat Tube (st)	443	480	538
Top Tube (tt')	548	583	608
Head Tube (ht)	120	157	193
Seat Angle ° (sa)	73.5	73.5	73.5
Head Angle ° (ha)	71.25	72	72
Rear Center (rc)	435	435	435
Front Center (fc)	592	628	659
Wheelbase (wb)	1024	1053	1085
BB Drop (drop)	70	70	70
Fork Length (fl)	415	415	415
Fork Rake (fr)	45	45	45
Trail	70	65	65
Crank Length	170	170	170
Stem Length (ICS 1)	80	90	100
Stem Angle ° (ICS 1)	0	0	0
Bar Width	680	680	680
Bar Rise	0	0	0
Bar Sweep°	9	9	9
Seatpost Length	310	310	310
Seatpost Offset	15	15	15
Standover Height	745	777	823

[> Back to Index](#)

## ALPENCHALLENGE AMP AL City Geometry



Unless otherwise indicated, all measurements are given in mm.

Size	S	M	L
<b>Rider Height cm</b>	<170	170-185	>180
<b>Stack</b>	565	600	635
<b>Reach</b>	380	405	425
<b>Seat Tube (st)</b>	443	480	538
<b>Top Tube (tt')</b>	548	583	608
<b>Head Tube (ht)</b>	120	157	193
<b>Seat Angle ° (sa)</b>	73.5	73.5	73.5
<b>Head Angle ° (ha)</b>	71.25	72	72
<b>Rear Center (rc)</b>	435	435	435
<b>Front Center (fc)</b>	592	628	659
<b>Wheelbase (wb)</b>	1024	1053	1085
<b>BB Drop (drop)</b>	70	70	70
<b>Fork Length (fl)</b>	415	415	415
<b>Fork Rake (fr)</b>	45	45	45
<b>Trail</b>	70	65	65
<b>Crank Length</b>	170	170	170
<b>Stem Length</b>	90	90	100
<b>Stem Angle °</b>	± 8	± 8	± 8
<b>Bar Width</b>	680	680	680
<b>Bar Rise</b>	0	0	0
<b>Bar Sweep °</b>	9	9	9
<b>Seatpost Length</b>	350	350	350
<b>Seatpost Offset</b>	15	15	15
<b>Standover Height</b>	745	777	823

[> Back to Index](#)