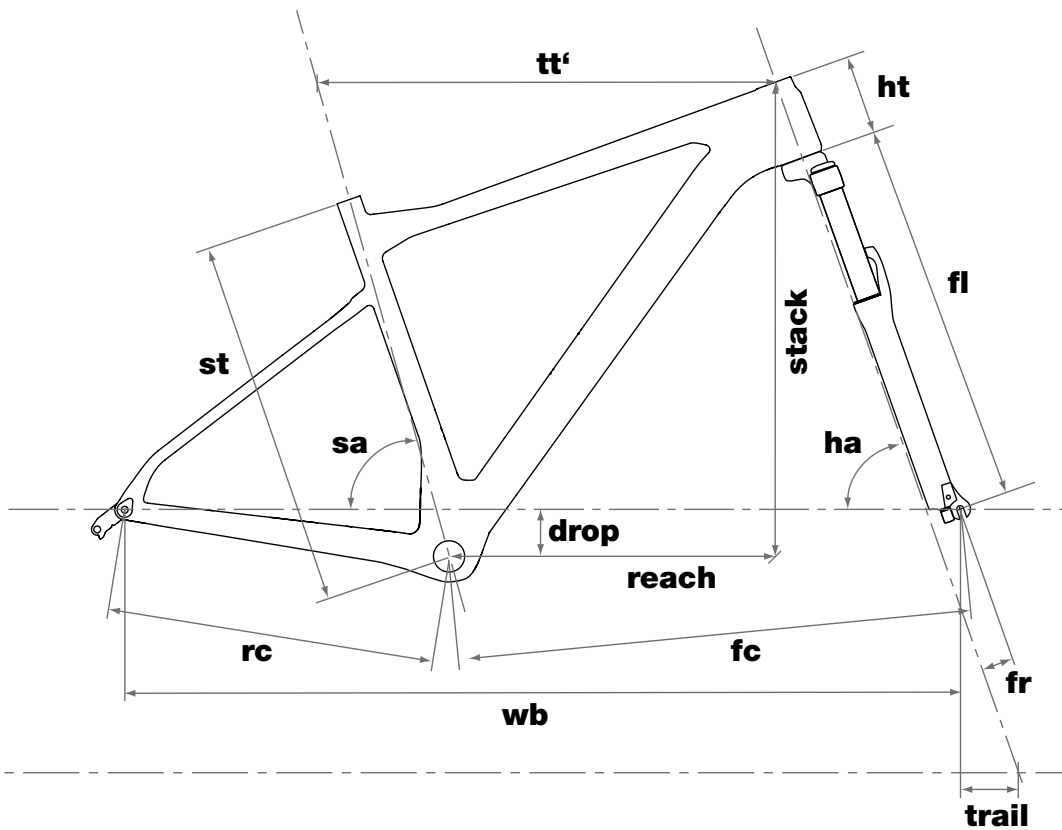
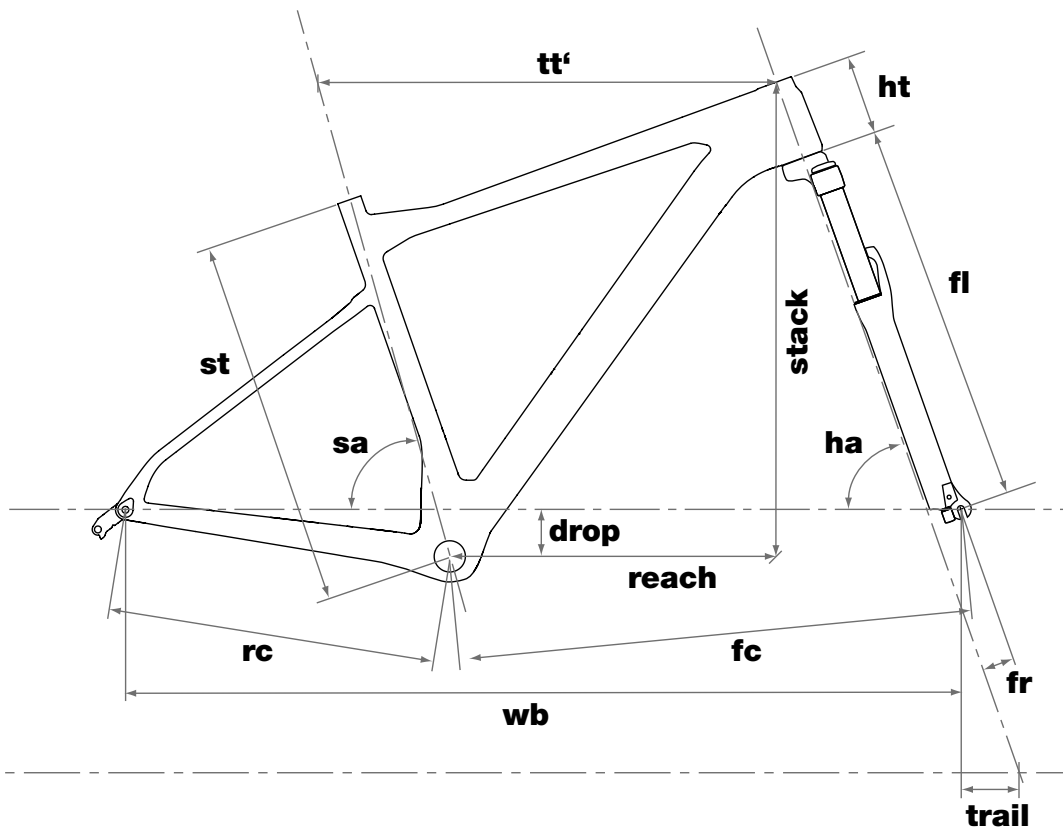


MY20 MOUNTAIN BIKE GEOMETRY INDEX	1
TEAMELITE 01	2
TEAMELITE 02	3
TEAMELITE 03	4
FOURSTOKE 01	5
AGONIST 01	6
AGONIST 02	7
SPEEDFOX 01	8
SPEEDFOX 02	9
SPEEDFOX 03	10
SPORTELITE	11



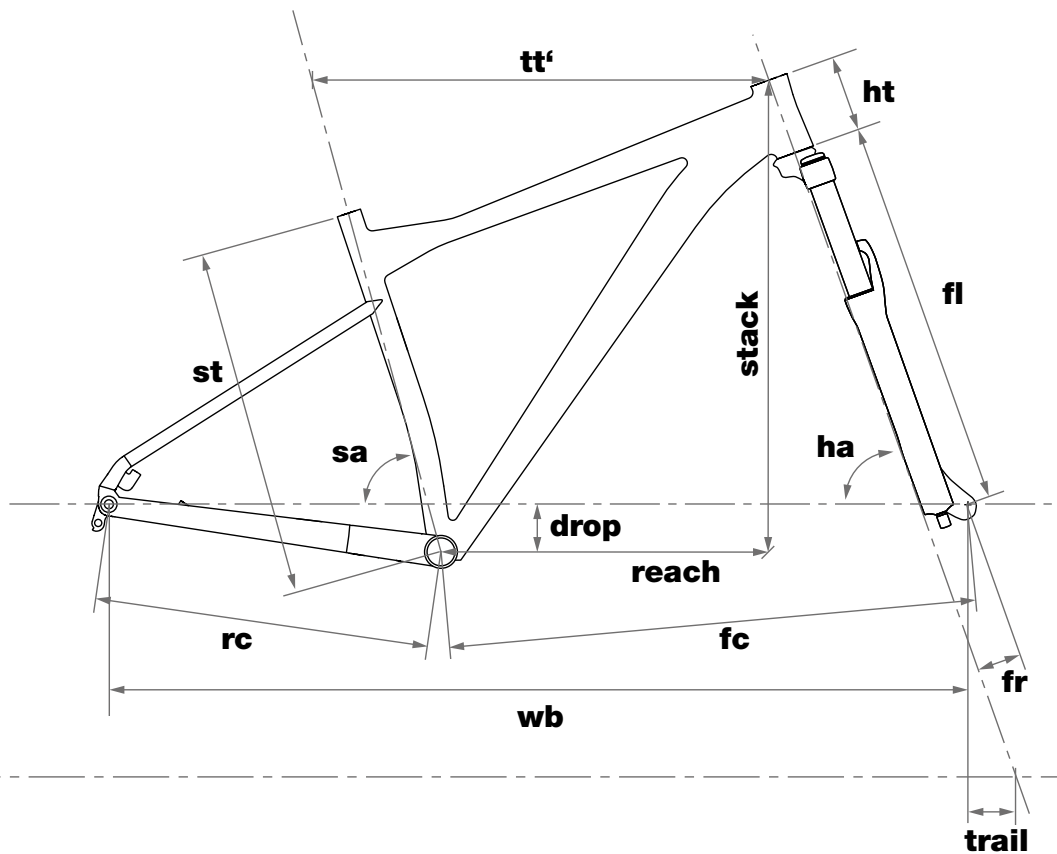
Geometry

size	XS	S	M	L	XL
riders height	< 165	162-172	170-180	178-188	>188
stack mm	599	608	618	628	638
reach mm	377	401	426	442	458
seat tube st mm	400	445	485	525	545
top tube tt' mm	550	584	610	630	649
head tube ht mm	90	90	100	110	120
seat angle sa °	73.5	73.5	73.5	73.5	73.5
head angle ha °	70	70	70	70	70
rear center rc mm	429	429	429	429	429
front center fc mm	625	659	685	706	725
wheelbase wb mm	1046	1081	1107	1128	1146
bb drop mm	61	61	61	61	61
fork length fl mm	486	506	506	506	506
fork rake fr mm	51	51	51	51	51
trail mm	80	80	80	80	80
crank length mm	170	170	175	175	175
stem length mm	60	70	70	70	80
stem angle °	±6	±6	±6	±6	±6
bar width mm	720	720	720	720	720
bar rise mm	4	4	4	4	4
bar weep °	9°	9°	9°	9°	9°
post length mm	350	350	350	400	400
post offset mm	0	0	0	0	0
standover height mm	687	773	803	828	838



Geometry

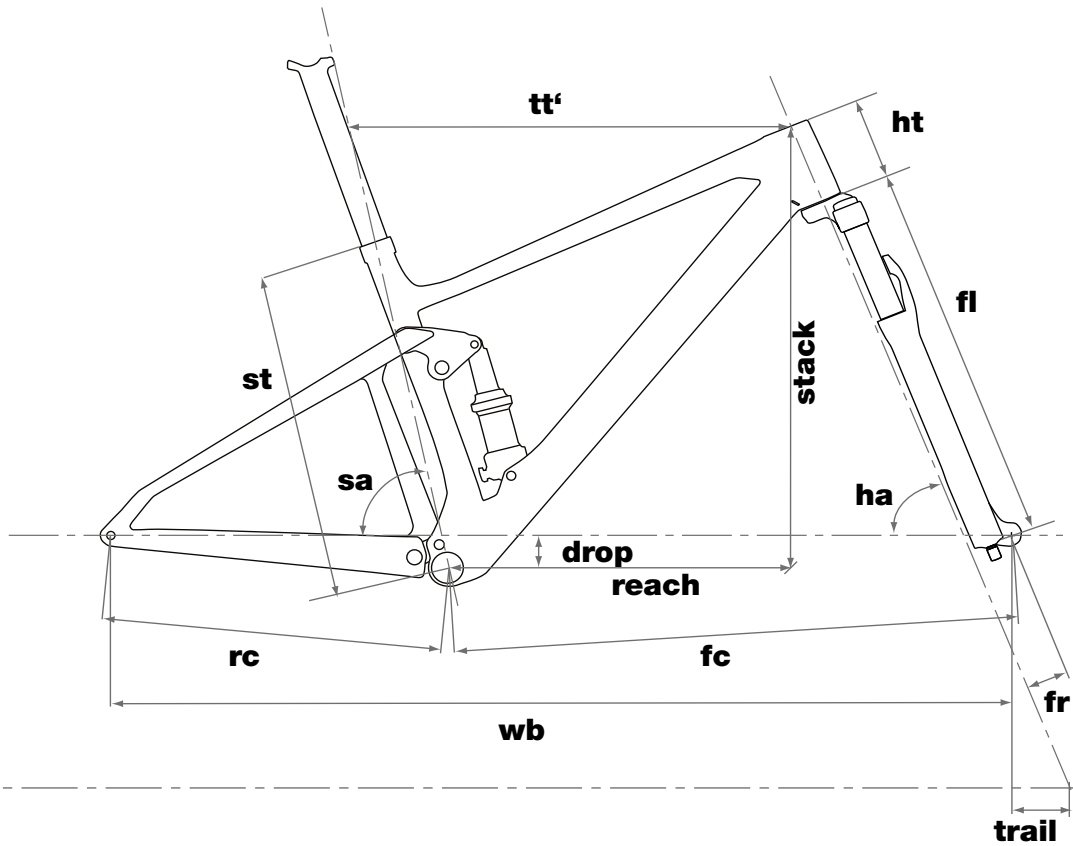
size	XS	S	M	L	XL
riders height	< 165	162-172	170-180	178-188	>188
stack mm	599	608	618	628	638
reach mm	377	401	426	442	458
seat tube st mm	400	445	485	525	545
top tube tt' mm	550	584	610	630	649
head tube ht mm	90	90	100	110	120
seat angle sa °	73.5	73.5	73.5	73.5	73.5
head angle ha °	70	70	70	70	70
rear center rc mm	429	429	429	429	429
front center fc mm	625	659	685	706	725
wheelbase wb mm	1046	1081	1107	1128	1146
bb drop mm	61	61	61	61	61
fork length fl mm	486	506	506	506	506
fork rake fr mm	51	51	51	51	51
trail mm	80	80	80	80	80
crank length mm	170*	170	175	175	175
stem length mm	60	70	70	70	80
stem angle °	±6	±6	±6	±6	±6
bar width mm	720	720	720	720	720
bar rise mm	4	4	4	4	4
bar weep °	9°	9°	9°	9°	9°
post length mm	350	350	350	400	400
post offset mm	0	0	0	0	0
standover height mm	687	773	803	828	838



Geometry

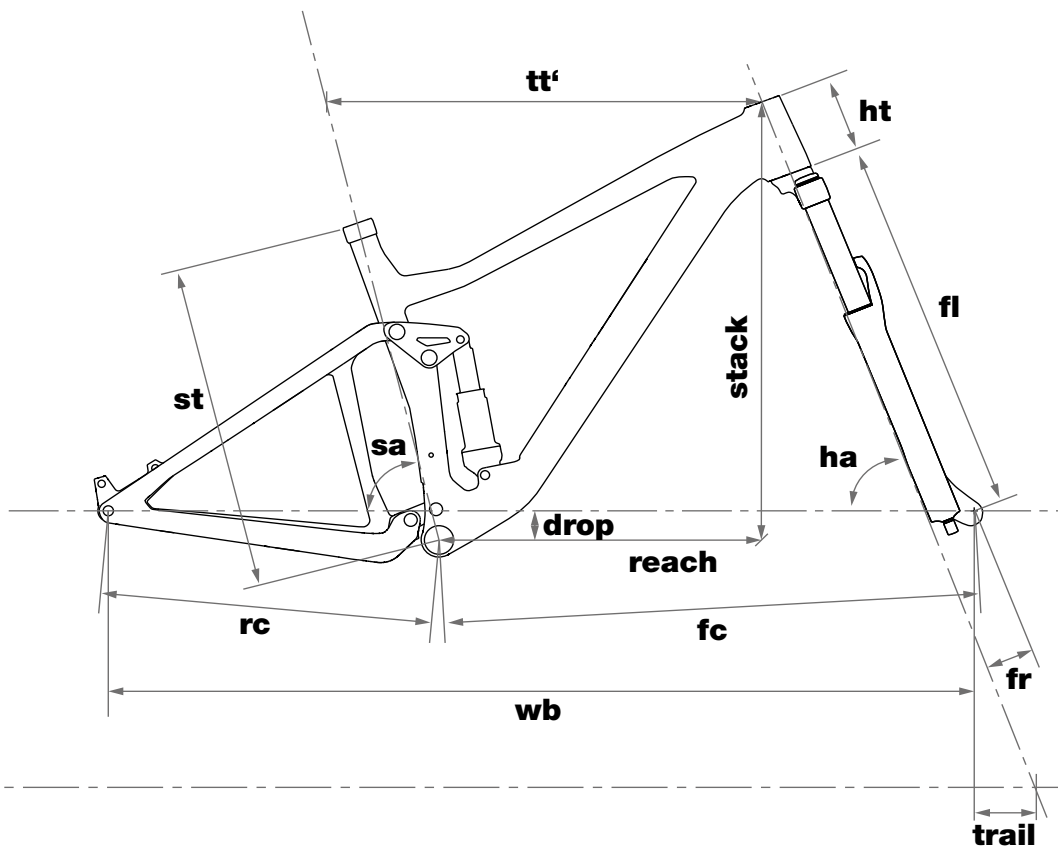
size	S	M	L	XL
riders height	<170	170-182	180-192	>190
stack mm	605	615	624	633
reach mm	401	426	442	458
seat tube st mm	425	455	495	545
top tube tt' mm	580	608	627	646
head tube ht mm	90	100	110	120
seat angle sa °	73.5	73.5	73.5	73.5
head angle ha °	70	70	70	70
rear center rc mm	433	433	433	433
front center fc mm	656	685	704	724
wheelbase wb mm	1085	1113	1132	1152
bb drop mm	60	60	60	60
fork length fl mm	506	506	506	506
fork rake fr mm	51	51	51	51
trail mm	80	80	80	80
crank length mm	170	175	175	175
stem length mm	75	75	75	90
stem angle °	±6	±6	±6	±6
bar width mm	720	720	720	720
bar rise mm	4	4	4	4
bar weep °	9	9	9	9
post length mm	350	350	400	400
post offset mm	0	0	0	0
standover height mm	730	760	785	825

> Back to Index



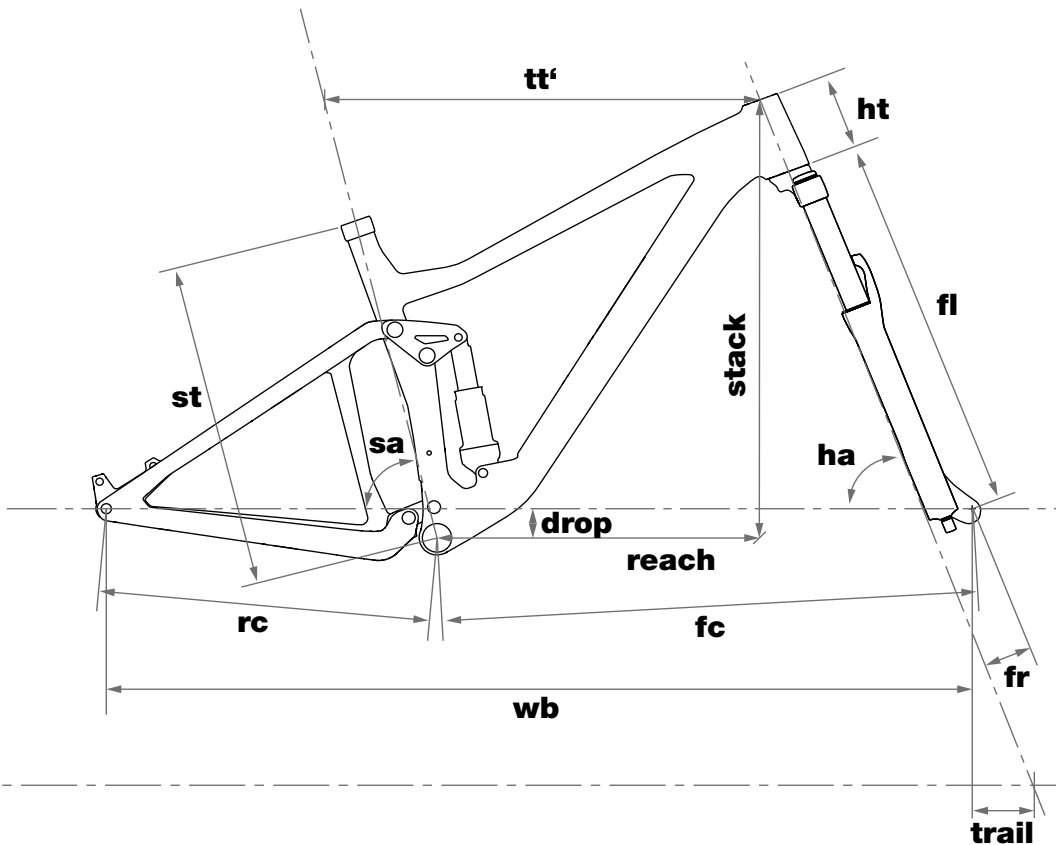
Geometry

size	S	M	L	XL
rider height	<172	172-182	180-188	>188
stack mm	580	590	600	615
reach mm	423	445	465	485
seat tube st mm	420	440	480	510
top tube tt' mm	582	607	630	654
head tube ht mm	96	107	117	134
seat angle sa °	75.6	75.6	75.6	75.6
head angle ha °	67.5	67.5	67.5	67.5
rear center rc mm	429	429	429	429
front center fc mm	700	726	750	777
wheelbase wb mm	1129	1155	1180	1206
bb drop mm	44	44	44	44
fork length fl mm	506	506	506	506
fork rake fr mm	44	44	44	44
trail mm	106.5	106.5	106.5	106.5
crank length mm	170	175	175	175
stem length mm	50	60	60	70
stem angle °	-5	-5	-5	-5
bar width mm	750	750	750	750
bar rise mm	0	0	0	0
bar sweep °	9	9	9	9
post offset mm	0	0	0	0
standover height mm	738	747	759	768
rear travel mm	105	105	105	105



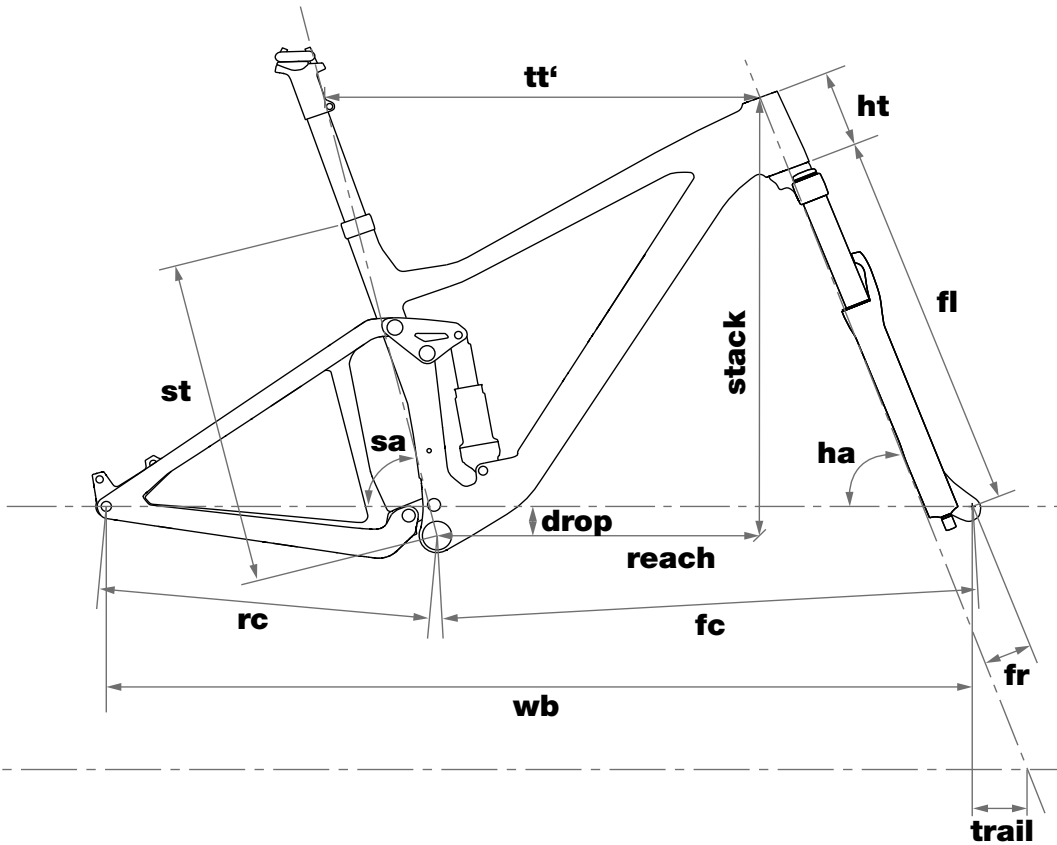
Geometry

size	S	M	L	XL
riders height	<172	172-182	180-188	>188
stack mm	595	605	615	630
reach mm	412	435	455	470
seat tube st mm	420	440	480	510
top tube tt' mm	586	611	634	653
head tube ht mm	95	105	115	130
seat angle sa °	73.75	73.75	73.75	73.75
head angle ha °	69.5	69.5	69.5	69.5
rear center rc mm	445	445	445	445
front center fc mm	674	701	724	745
wheelbase wb mm	1119	1145	1169	1190
bb drop mm	40	40	40	40
fork length fl mm	516	516	516	516
fork rake fr mm	51	51	51	51
trail mm	85	85	85	85
crank length mm	170	175	175	175
stem length mm	70	70	70	80
stem angle °	±6	±6	±6	±6
bar width mm	750	750	750	750
bar rise mm	4	4	4	4
bar weep °	9	9	9	9
post length mm	350	350	400	400
post offset mm	0	0	0	0
standover height mm	709	730	748	769



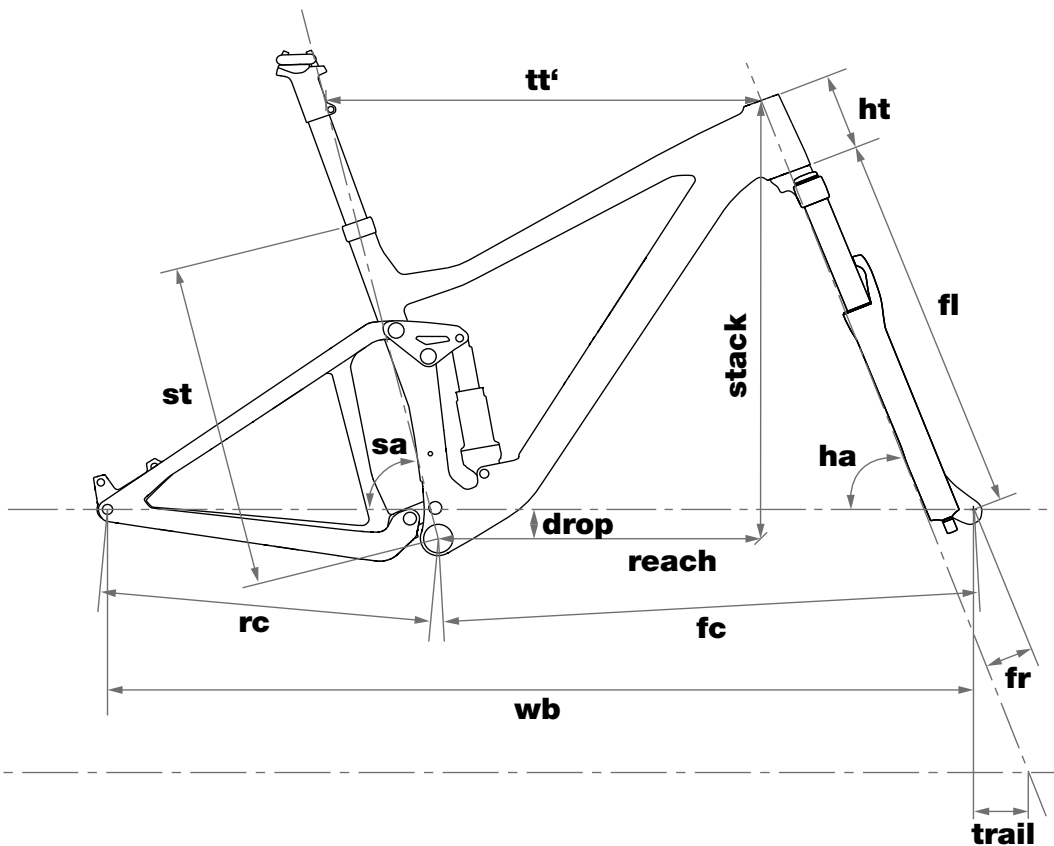
Geometry

size	S	M	L	XL
riders height	<172	172-182	180-188	>188
stack mm	595	605	615	630
reach mm	412	435	455	470
seat tube st mm	420	440	480	510
top tube tt' mm	586	611	634	653
head tube ht mm	95	105	115	130
seat angle sa °	73.75	73.75	73.75	73.75
head angle ha °	69.5	69.5	69.5	69.5
rear center rc mm	445	445	445	445
front center fc mm	674	701	724	745
wheelbase wb mm	1119	1145	1169	1190
bb drop mm	40	40	40	40
fork length fl mm	516	516	516	516
fork rake fr mm	51	51	51	51
trail mm	85	85	85	85
crank length mm	170	175	175	175
stem length mm	70	70	70	80
stem angle °	±6	±6	±6	±6
bar width mm	750	750	750	750
bar rise mm	4	4	4	4
bar weep °	9	9	9	9
post length mm	350	350	400	400
post offset mm	0	0	0	0
standover height mm	709	730	748	769



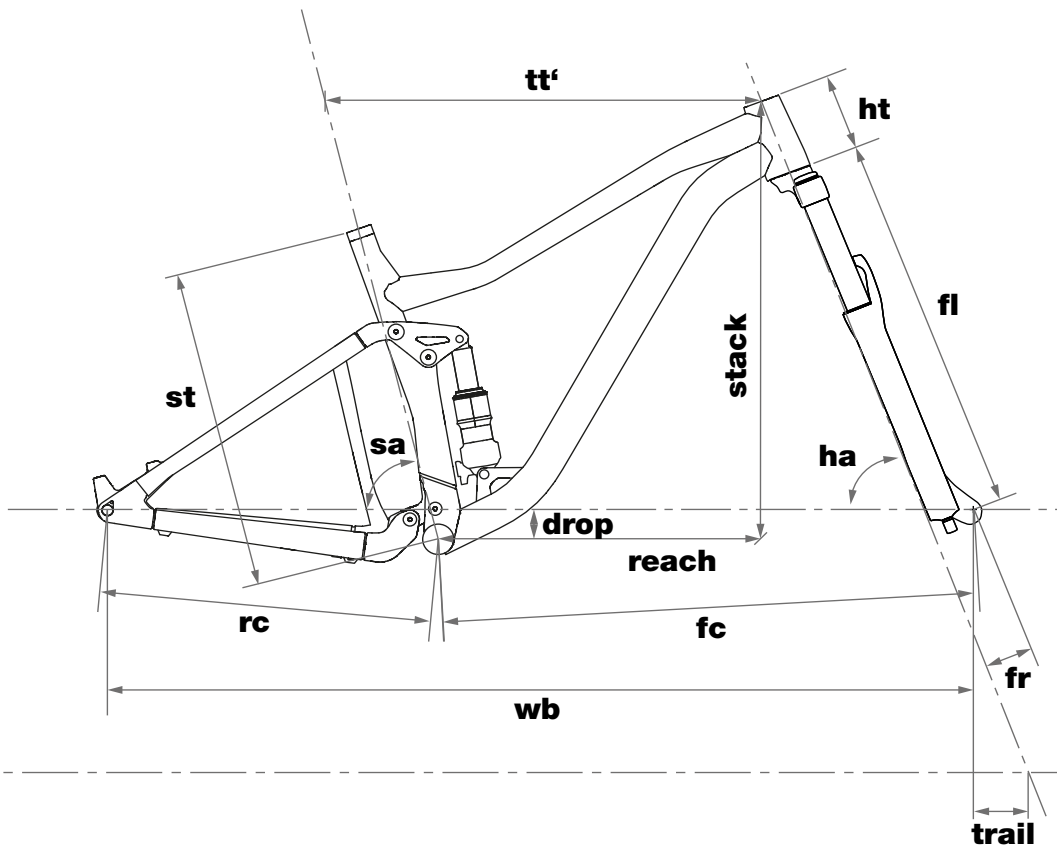
Geometry

size	S	M	L	XL
riders height	<172	172-182	180-188	>188
stack mm	600	610	620	635
reach mm	408	430	450	465
seat tube st mm	420	440	480	510
top tube tt' mm	587	611	634	653
head tube ht mm	95	105	115	135
seat angle sa °	73.75	73.75	73.75	73.75
head angle ha °	68	68	68	68
rear center rc mm	445	445	445	445
front center fc mm	677	704	728	748
wheelbase wb mm	1123	1145	1169	1189
bb drop mm	37	37	37	37
fork length fl mm	526	526	526	526
fork rake fr mm	51	51	51	51
trail mm	90	90	90	90
crank length mm	170	175	175	175
stem length mm	45	55	55	55
stem angle °	0	0	0	0
bar width mm	760	760	760	760
bar rise mm	15	15	15	15
bar sweep °	9	9	9	9
post offset mm	0	0	0	0
standover height mm	713	734	752	773



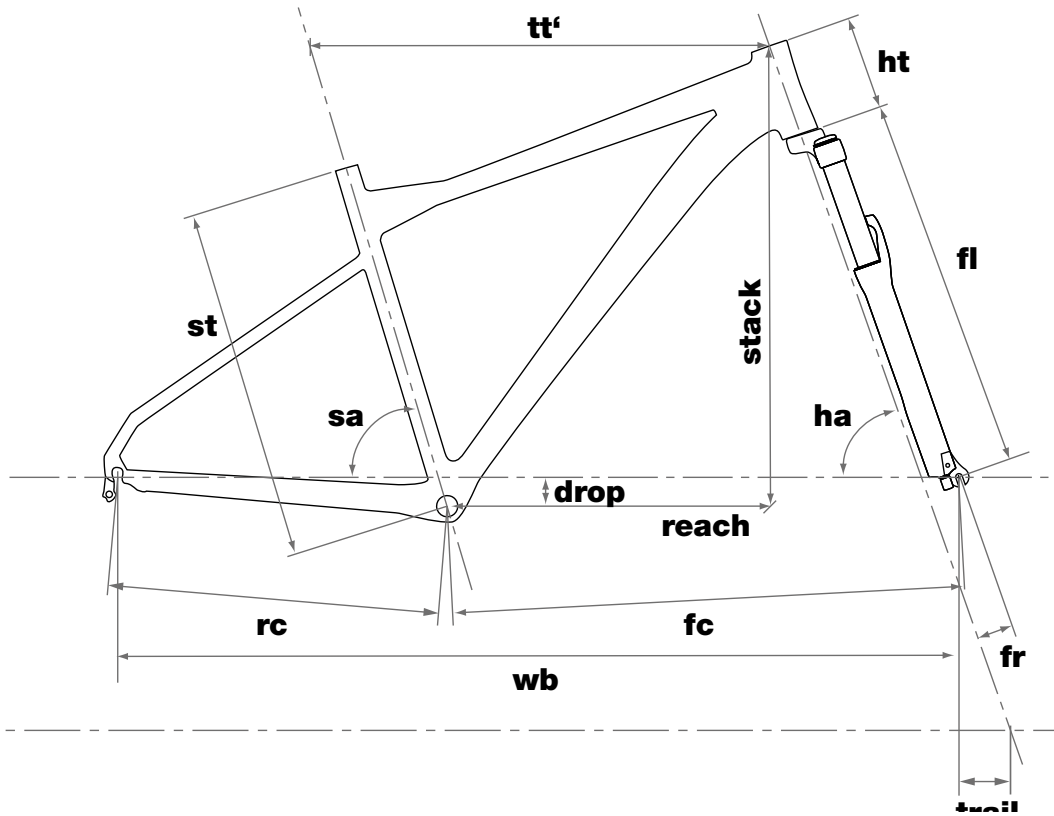
Geometry

size	S	M	L	XL
riders height	<172	172-182	180-188	>188
stack mm	600	610	620	635
reach mm	408	430	450	465
seat tube st mm	420	440	480	510
top tube tt' mm	587	611	634	653
head tube ht mm	95	105	115	135
seat angle sa °	73.75	73.75	73.75	73.75
head angle ha °	68	68	68	68
rear center rc mm	445	445	445	445
front center fc mm	677	704	728	748
wheelbase wb mm	1123	1145	1169	1189
bb drop mm	37	37	37	37
fork length fl mm	526	526	526	526
fork rake fr mm	51	51	51	51
trail mm	90	90	90	90
crank length mm	170	175	175	175
stem length mm	45	55	55	55
stem angle °	0	0	0	0
bar width mm	760	760	760	760
bar rise mm	15	15	15	15
bar sweep °	9	9	9	9
post offset mm	0	0	0	0
standover height mm	713	734	752	773



Geometry

size	S	M	L	XL
rider height	<172	172-182	180-188	>188
stack mm	584	610	620	635
reach mm	413	430	450	465
seat tube st mm	410	440	480	510
top tube tt' mm	587	611	634	653
head tube ht mm	110	105	115	135
seat angle sa °	73.25	73.75	73.75	73.75
head angle ha °	67.5	68.25	68.25	68.25
rear center rc mm	430	445	445	445
front center fc mm	685	704	728	748
wheelbase wb mm	1111	1145	1169	1189
bb drop mm	22	37	37	37
fork length fl mm	517	526	526	526
fork rake fr mm	46	51	51	51
trail mm	98	90	90	90
crank length mm	170	175	175	175
stem length mm	45	55	55	55
stem angle °	0	0	0	0
bar width mm	760	760	760	760
bar rise mm	15	15	15	15
bar sweep °	9	9	9	9
post offset mm	0	0	0	0
standover height mm	695	734	752	773



Geometry

size	XS	S	M	L	XL
riders height	< 165	162-172	170-182	180-192	>190
stack mm	580	594	604	622	632
reach mm	385	405	425	445	465
seat tube st mm	380	420	460	500	540
top tube tt' mm	558	586	610	635	654
head tube ht mm	100	110	120	140	150
seat angle sa °	73	73	73	73	73
head angle ha °	70	70	70	70	70
rear center rc mm	435	435	435	435	435
front center fc mm	622	652	675	701	720
wheelbase wb mm	1053	1083	1107	1133	1152
bb drop mm	42	42	42	42	42
fork length fl mm	490	490	490	490	490
fork rake fr mm	42	42	42	42	42
trail mm	82	82	82	82	82
crank length mm	170	170	175	175	175
stem length mm	70	70	70	70	90
stem angle °	6	6	6	6	6
bar width mm	700	700	700	700	700
bar rise mm	15	15	15	15	15
bar sweep °	9	9	9	9	9
post length mm	350	350	400	400	400
post offset mm	0	0	0	0	0
standover height mm	704	744	766	779	825