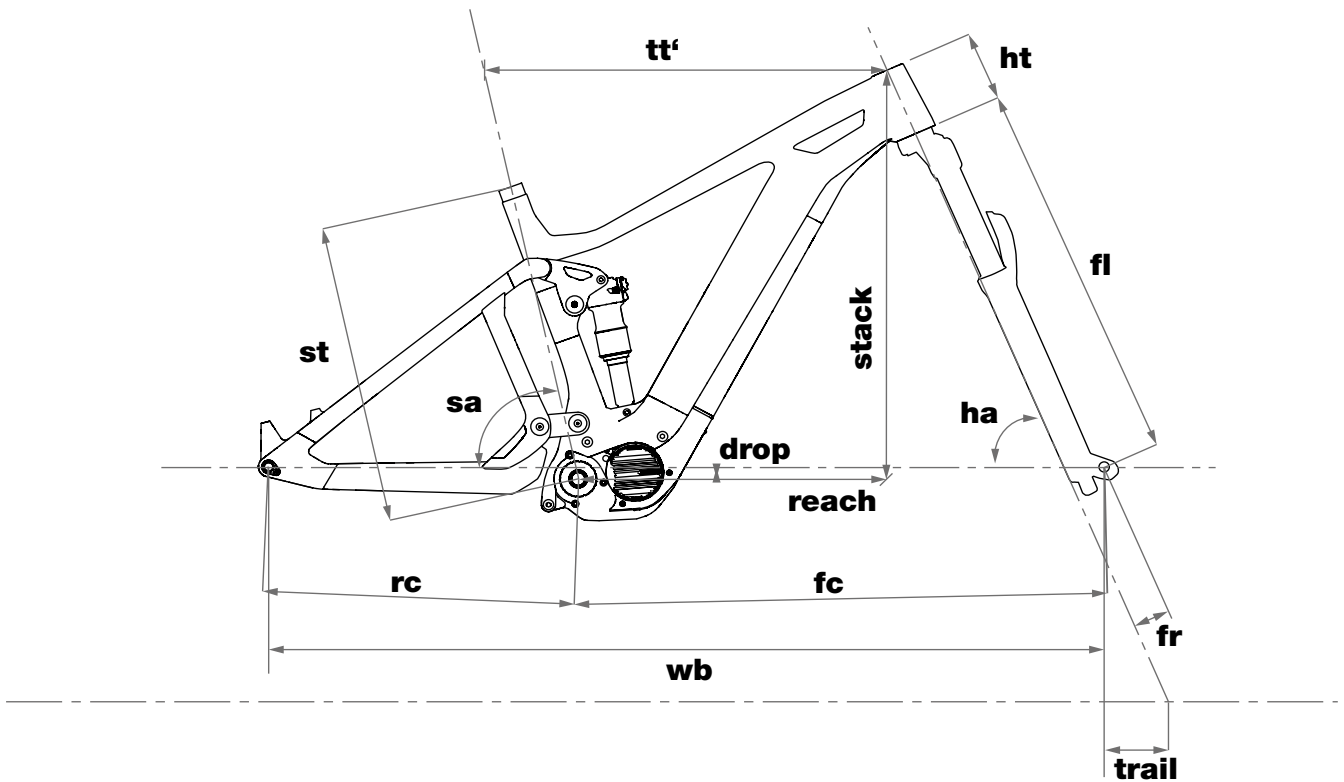
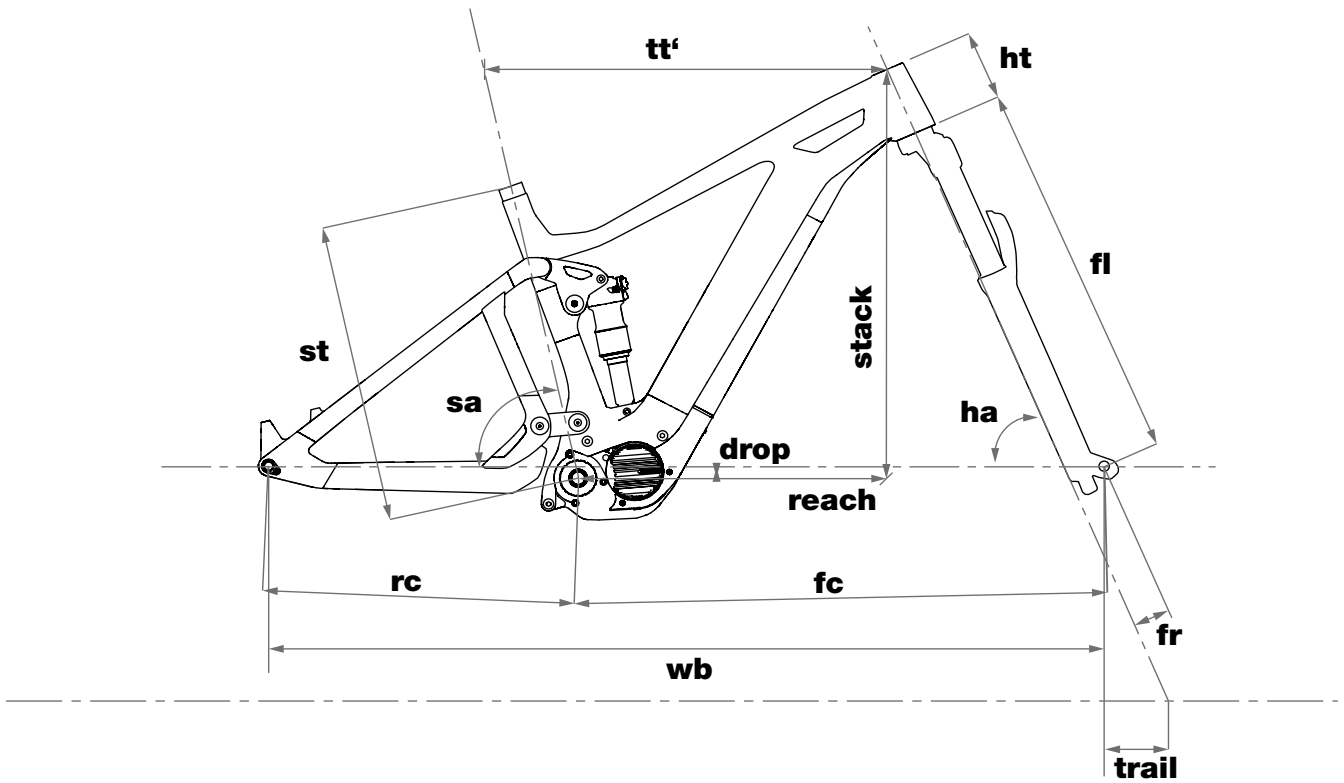


MY20 <b>AMP BIKE</b> GEOMETRY INDEX	1
<b>SPEEDFOX</b> AMP	2
<b>TRAILFOX</b> AMP	3
<b>TRAILFOX</b> AMP SX	4
<b>ALPENCHALLENGE</b> AMP ROAD	5
<b>ALPENCHALLENGE</b> AMP SPORT	6
<b>ALPENCHALLENGE</b> AMP CROSS	7
<b>ALPENCHALLENGE</b> AMP CITY	8



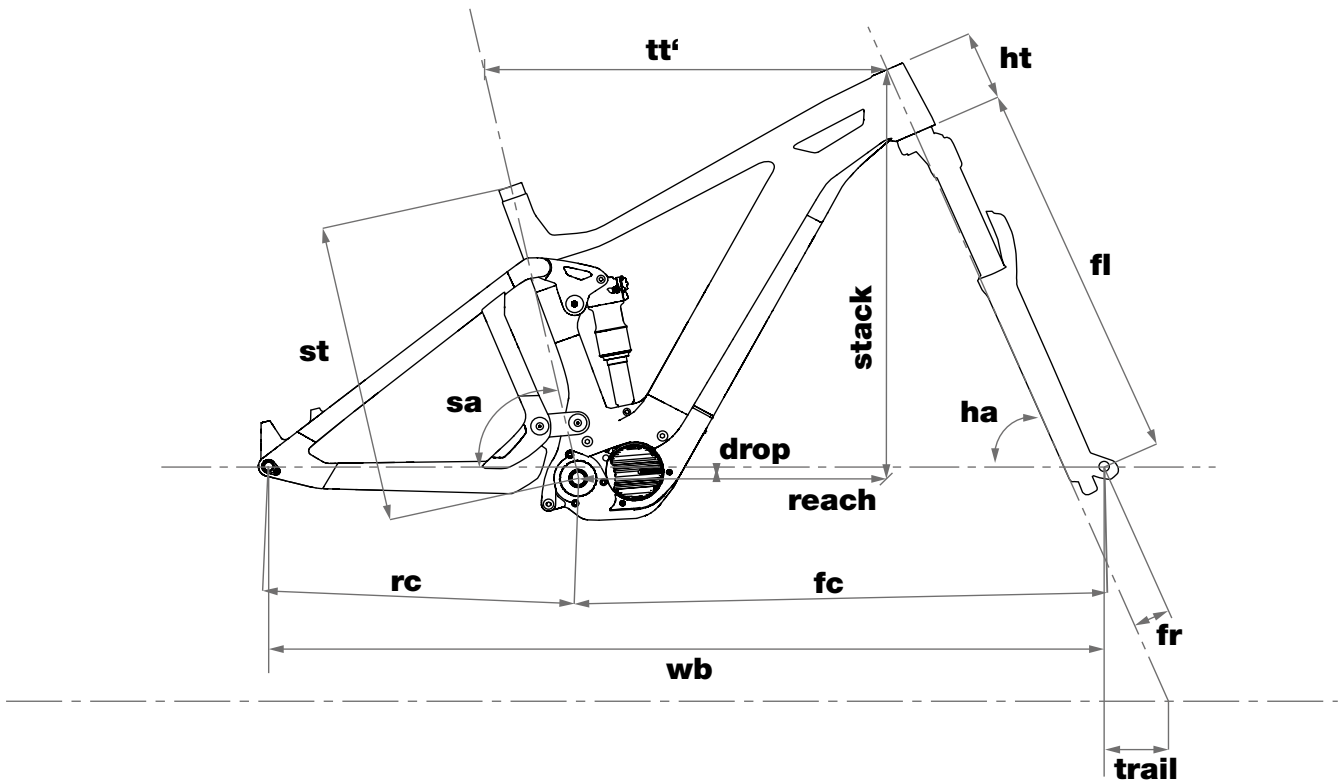
**Geometry**

size	S	M	L
rider height	<170	170-185	>180
stack mm	598	605	618
reach mm	401	445	472
seat tube st mm	400	440	480
top tube tt' mm	572	619	648
head tube ht mm	92	103	118
seat angle sa °	74	74	74
head angle ha °	66	66	66
rear center rc mm	450	450	450
front center fc mm	711	752	784
wheelbase wb mm	1159	1202	1233
bb drop mm	33	35	35
fork length fl mm	541	541	541
fork rake fr mm	51	51	51
trail mm	110	107	107
crank length mm	165	165	170
stem length mm	50	50	50
stem angle °	+/- 6	+/- 6	+/- 6
bar width mm	750	750	750
Seatpost Drop mm	125	150	150
post offset mm	0	0	0
standover height mm	760	765	770



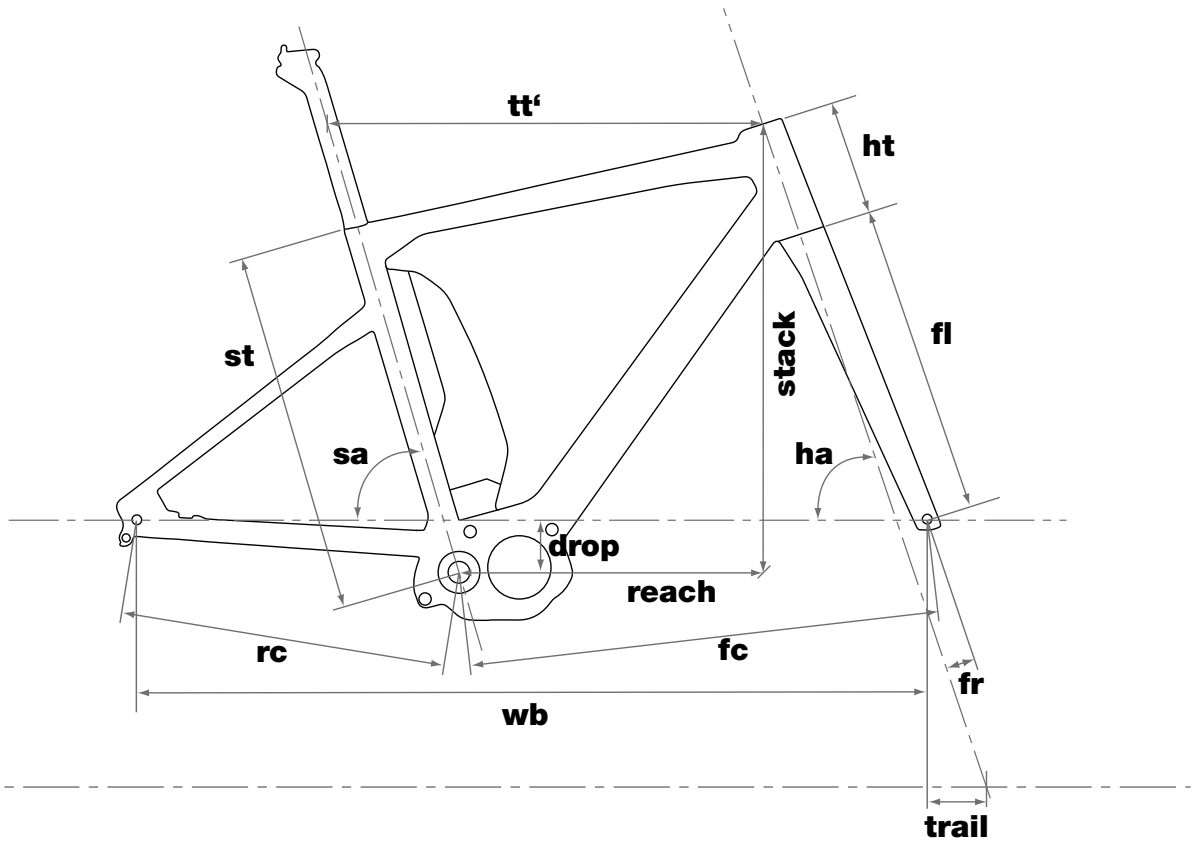
**Geometry**

size	S	M	L
rider height	<170	170-185	>180
stack mm	595	606	620
reach mm	405	445	469
seat tube st mm	400	440	480
top tube tt' mm	573	616	645
head tube ht mm	91	103	118
seat angle sa °	74	74	74
head angle ha °	66	66	66
rear center rc mm	445	445	445
front center fc mm	715	760	791
wheelbase wb mm	1162	1207	1238
bb drop mm	17	17	17
fork length fl mm	561	561	561
fork rake fr mm	51	51	51
trail mm	103	103	103
crank length mm	170	170	170
stem length mm	50	50	50
stem angle °	0	0	0
bar width mm	780	780	780
bar rise mm	20	20	20
bar sweep °	9	9	9
post length mm	125x375	150x440	150x440
post offset mm	0	0	0
standover height mm	745	730	771



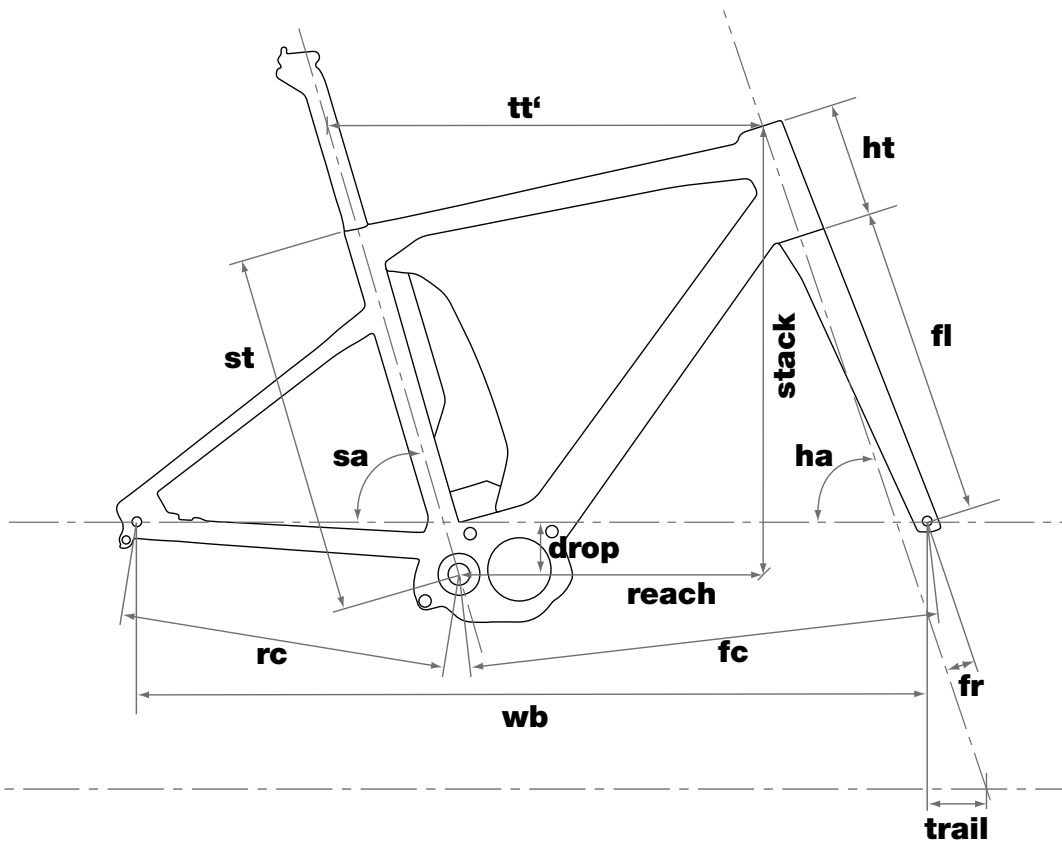
**Geometry**

size	S	M	L
rider height	<170	170-185	>180
stack mm	595	606	620
reach mm	405	445	469
seat tube st mm	400	440	480
top tube tt' mm	573	616	645
head tube ht mm	91	103	118
seat angle sa °	74	74	74
head angle ha °	65	65	65
rear center rc mm	445	445	445
front center fc mm	715	760	791
wheelbase wb mm	1162	1207	1238
bb drop mm	17	17	17
fork length fl mm	561	561	561
fork rake fr mm	51	51	51
trail mm	103	103	103
crank length mm	165	165	170
stem length mm	45	45	45
stem angle °	0	0	0
bar width mm	780	780	780
seatpost drop	125	150	150
post offset mm	0	0	0
standover height mm	751	736	777



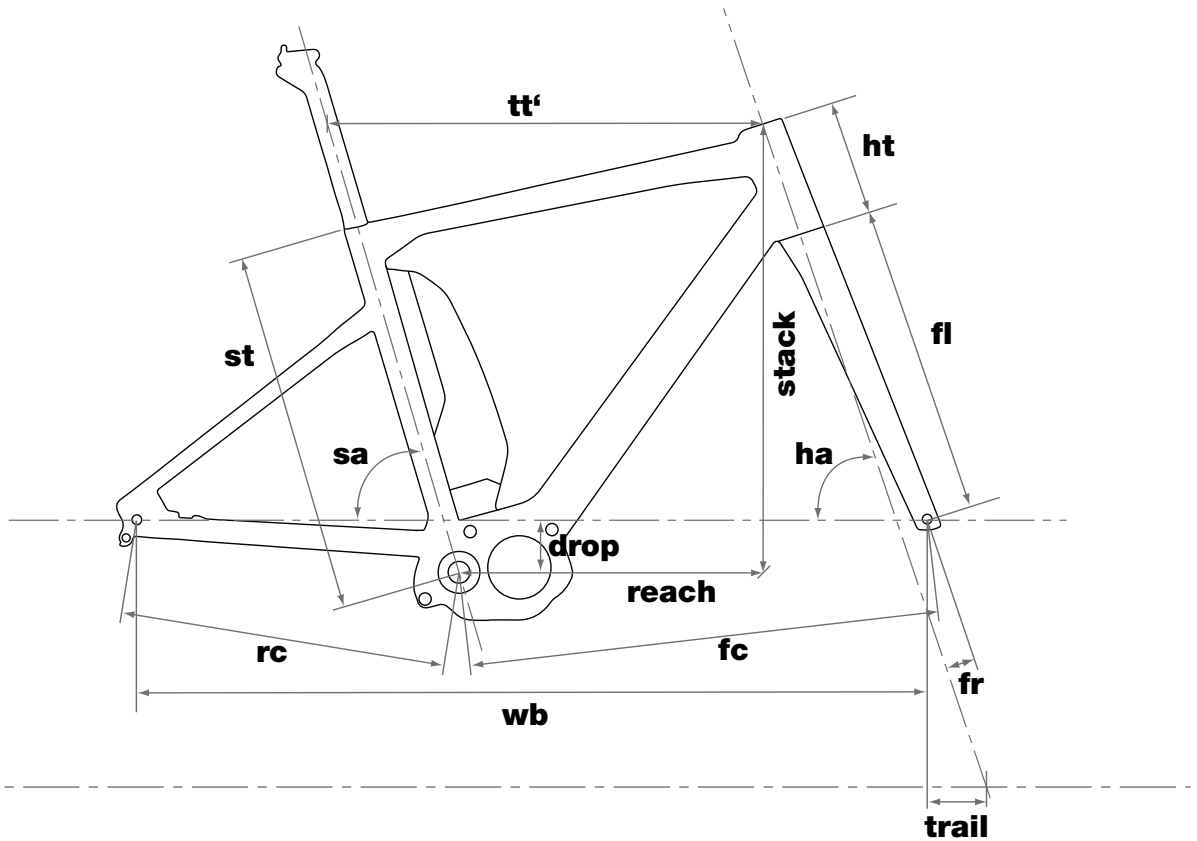
**Geometry**

size	S (51-54)	M (56-58)	L (61-63)
rider height	170-180	180-185	>185
stack mm	565	600	635
reach mm	380	405	425
seat tube st mm	443	480	538
top tube tt' mm	548	583	608
head tube ht mm	120	157	193
seat angle sa °	73.5	73.5	73.5
head angle ha °	71.25	72	72
rear center rc mm	435	435	435
front center fc mm	592	628	659
wheelbase wb mm	1024	1053	1085
bb drop mm	70	70	70
fork length fl mm	415	415	415
fork rake fr mm	45	45	45
trail mm	70	65	65
crank length mm	170	170	170
stem length mm	90	90	100
stem angle °	± 8	± 8	± 8
bar width mm	680	680	680
post length mm	310	310	310
post offset mm	15	15	15
standover height mm	745	777	823



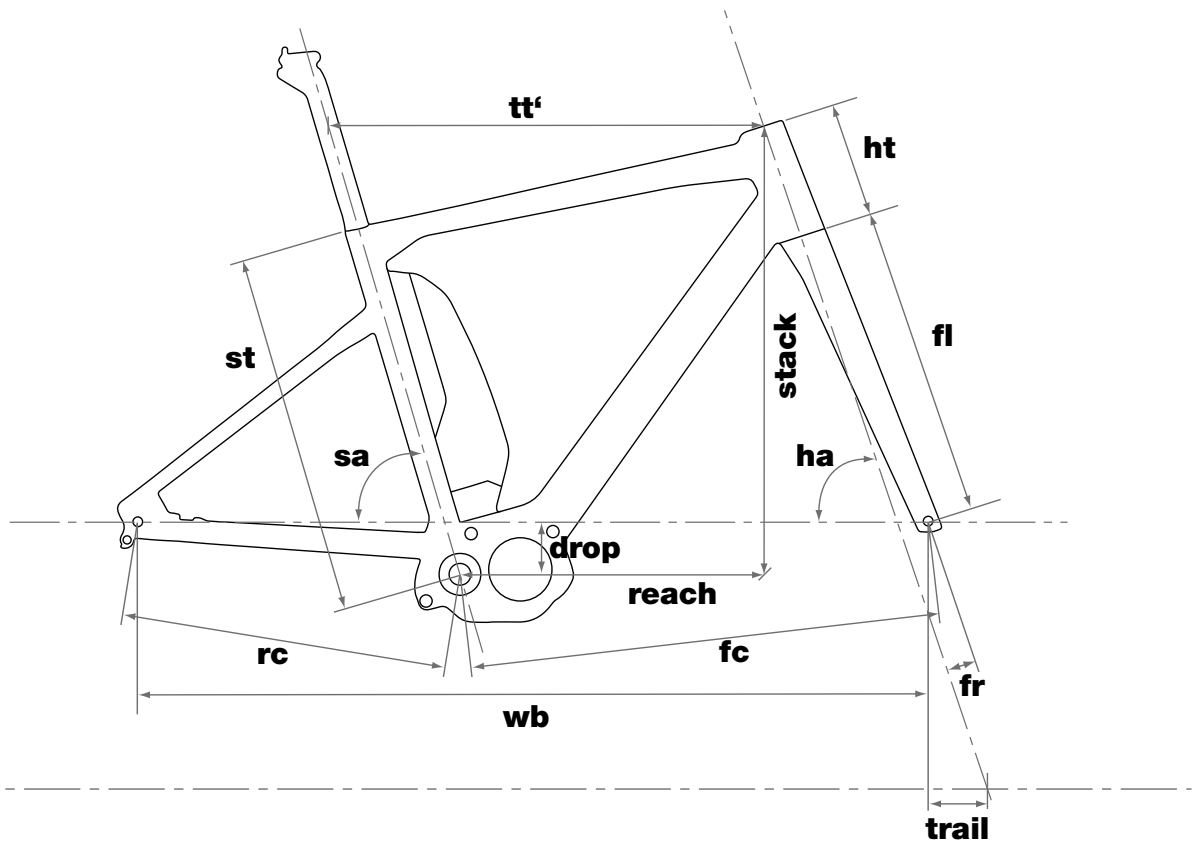
**Geometry**

size	S	M	L
rider height	<170	170-185	>180
stack mm	565	600	635
reach mm	380	405	425
seat tube st mm	443	480	538
top tube tt' mm	548	583	608
head tube ht mm	120	157	193
seat angle sa °	73.5	73.5	73.5
head angle ha °	71.25	72	72
rear center rc mm	435	435	435
front center fc mm	592	628	659
wheelbase wb mm	1024	1053	1085
bb drop mm	70	70	70
fork length fl mm	415	415	415
fork rake fr mm	45	45	45
trail mm	70	65	65
crank length mm	170	170	170
stem length mm	90	90	100
stem angle °	± 8	± 8	± 8
bar width mm	680	680	680
post length mm	310	310	310
post offset mm	15	15	15
standover height mm	745	777	823



**Geometry**

size	S	M	L
rider height	<170	170-185	>180
stack mm	565	600	635
reach mm	380	405	425
seat tube st mm	443	480	538
top tube tt' mm	548	583	608
head tube ht mm	120	157	193
seat angle sa °	73.5	73.5	73.5
head angle ha °	71.25	72	72
rear center rc mm	435	435	435
front center fc mm	592	628	659
wheelbase wb mm	1024	1053	1085
bb drop mm	70	70	70
fork length fl mm	415	415	415
fork rake fr mm	45	45	45
trail mm	70	65	65
crank length mm	170	170	170
stem length mm	90	90	100
stem angle °	± 8	± 8	± 8
bar width mm	680	680	680
post length mm	310	310	310
post offset mm	15	15	15
standover height mm	745	777	823



**Geometry**

size	S	M	L
rider height	<170	170-185	>180
stack mm	565	600	635
reach mm	380	405	425
seat tube st mm	443	480	538
top tube tt' mm	548	583	608
head tube ht mm	120	157	193
seat angle sa °	73.5	73.5	73.5
head angle ha °	71.25	72	72
rear center rc mm	435	435	435
front center fc mm	592	628	659
wheelbase wb mm	1024	1053	1085
bb drop mm	70	70	70
fork length fl mm	415	415	415
fork rake fr mm	45	45	45
trail mm	70	65	65
crank length mm	170	170	170
stem length mm	90	90	100
stem angle °	± 8	± 8	± 8
bar width mm	680	680	680
post length mm	310	310	310
post offset mm	15	15	15
standover height mm	745	777	823